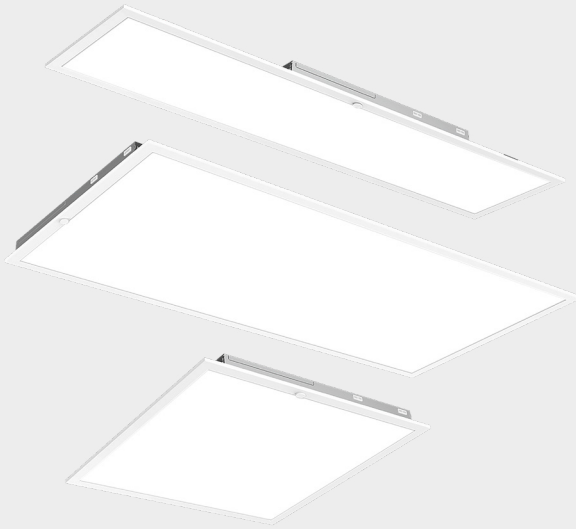


Date: _____ Project: _____

Type: _____ Part #: _____



Aim Series

High Power Back-Lit Panel w/ Sensor Compatibility

RENO Lighting's AIM Series high-power sensor-ready backlit panel is a versatile lighting solution for modern commercial environments.

Featuring an integrated sensor-ready port compatible with PIR and Bluetooth controls, it delivers flexible functionality in a seamless design. Engineered for visual comfort, the AIM Series offers less than 5% flicker, 90 CRI, uniform illumination, and long maintenance-free performance for a wide range of applications.



Product Features

- DLC Premium pending
- Available sizes: 1x4, 2x2, 2x4
- Integrated 2.5 mm sensor port. Compatible with both standalone and smart sensors
- Formed SPCC cold-rolled steel with powder-coated white finish
- PMMA lens
- Backlit technology offers even light distribution without shadowing
- Less than 5% flicker to minimize eye strain and visual fatigue
- Damp location rated
- Operating temp: -4°F to 104°F (-20°C to 50°C)
- Rated Lifetime >72000 hours
- 10 Year Limited Warranty

Specifications

Voltage	120-347V AC
Selectable Wattages	1x4: 20/35/40/45/50W 2x2: 20/35/40/45/50W 2x4: 30/40/50/60/72W
Selectable CCT	3000/3500/4000/5000/6500 K
Power Factor	> 0.9
CRI	90+
Lumens	1x4: Up to 6,644.6 lm 2x2: Up to 6,773.7 lm 2x4: Up to 9,663.6 lm
Efficacy	Up to 135 lm/W
Beam Angle	125°
Dimming	0-10V
Mounting	Surface, T-Grid, Suspension
Applications	Office, Conference Rooms, Retail, Commercial Spaces, Healthcare
Default Setting	1x4: 50W, 4000K 2x2: 50W, 4000K 2x4: 72W, 4000K

Specifications - AIM Flat Panel 1x4

Order #	Model	Wattage	Efficacy	Lumens	CCT
R35331	RENO-14BLPL-DV-MW-MCCT-HL-MS	20W	Up to 146.1 lm/W	Up to 2,850.6 lm	30/35/40/50/6500K
		35W	Up to 145.9 lm/W	Up to 4,745.1 lm	30/35/40/50/6500K
		40W	Up to 145.1 lm/W	Up to 5,377.3 lm	30/35/40/50/6500K
		45W	Up to 141.3 lm/W	Up to 5,936.1 lm	30/35/40/50/6500K
		50W	Up to 141.6 lm/W	Up to 6,644.6 lm	30/35/40/50/6500K

Specifications - AIM Flat Panel 2x2

Order #	Model	Wattage	Efficacy	Lumens	CCT
R35332	RENO-22BLPL-DV-MW-MCCT-HL-MS	20W	Up to 154.2 lm/W	Up to 3031.2 lm	30/35/40/50/6500K
		35W	Up to 149.8 lm/W	Up to 4,944.2 lm	30/35/40/50/6500K
		40W	Up to 148.5 lm/W	Up to 5,498.6 lm	30/35/40/50/6500K
		45W	Up to 145.0 lm/W	Up to 6,192.4 lm	30/35/40/50/6500K
		50W	Up to 145.6 lm/W	Up to 6,773.7 lm	30/35/40/50/6500K

Specifications - AIM Flat Panel 2x4

Order #	Model	Wattage	Efficacy	Lumens	CCT
R35333	RENO-24BLPL-DV-MW-MCCT-HL-MS	30W	Up to 145.2 lm/W	Up to 4,624.2 lm	30/35/40/50/6500K
		40W	Up to 145.5 lm/W	Up to 5565.0 lm	30/35/40/50/6500K
		50W	Up to 144.2 lm/W	Up to 6,678.3 lm	30/35/40/50/6500K
		60W	Up to 139.5 lm/W	Up to 7,725.7 lm	30/35/40/50/6500K
		72W	Up to 140.5 lm/W	Up to 9,663.6 lm	30/35/40/50/6500K

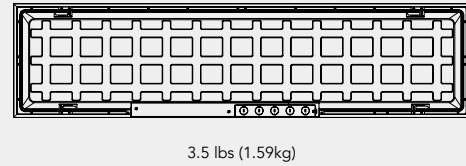
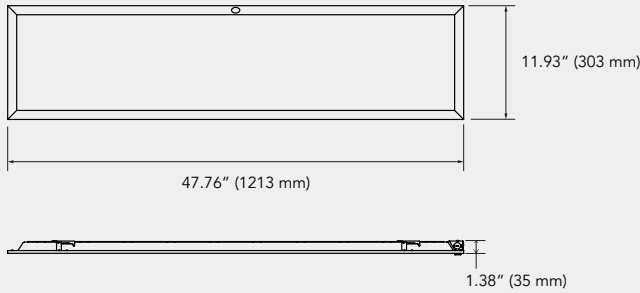
DLC Certification

Order #	Model #	Application	DLC Standard	DLC Premium
R35331	RENO-14BLPL-DV-MW-MCCT-HL-MS	Low-Bay Luminaires for Commercial and Industrial Buildings	-	Pending
		Luminaires for Ambient Lighting of Interior Commercial Spaces	-	Pending
R35332	RENO-22BLPL-DV-MW-MCCT -HL-MS	Low-Bay Luminaires for Commercial and Industrial Buildings	-	Pending
		Luminaires for Ambient Lighting of Interior Commercial Spaces	-	Pending
R35333	RENO-24BLPL-DV-MW-MCCT-HL-MS	Low-Bay Luminaires for Commercial and Industrial Buildings	-	Pending
		Luminaires for Ambient Lighting of Interior Commercial Spaces	-	Pending

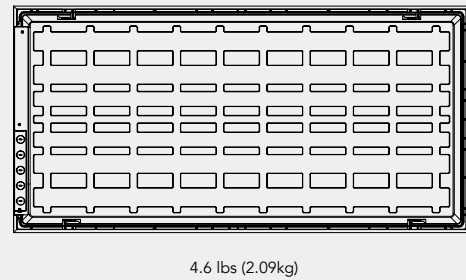
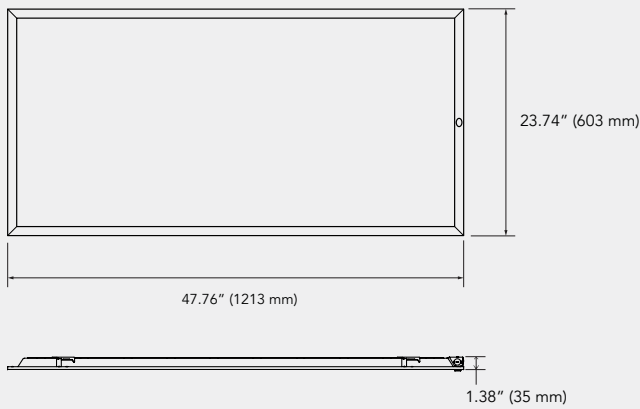
Dimensions

Aim Flat Panel 1x4 | 2x4 | 2x2

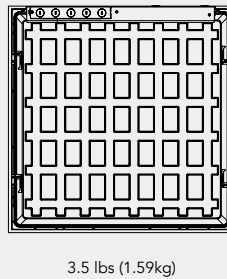
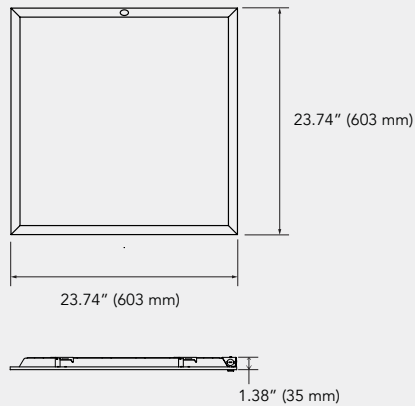
R35331- AIM Flat Panel 1x4



R35333- AIM Flat Panel 2x4

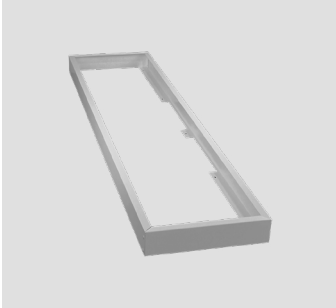


R35332- AIM Flat Panel 2x2



Accessories

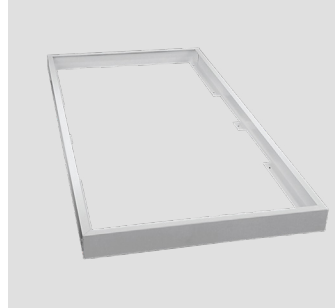
Mounting



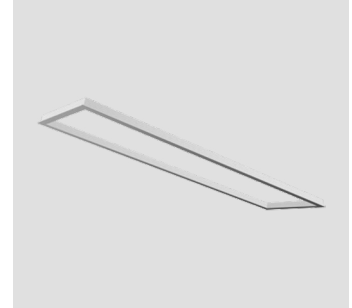
1x4 Surface Mount Kit
R39201
RENO-SMK14



2x2 Surface Mount Kit
R39202
RENO-SMK22



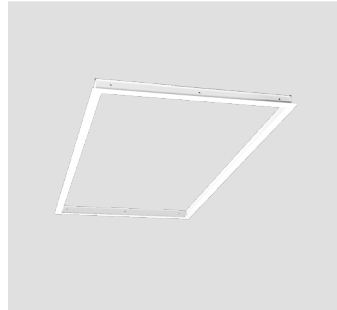
2x4 Surface Mount Kit
R39203
RENO-SMK24



1x4 Recessed Flange
R39211
RENO-RFK14



2x2 Recessed Flange
R39212
RENO-RFK22



2x4 Recessed Flange
R39213
RENO-RFK24



10Ft Suspension Kit
R39204
RENO-RP

Order #	Model #	Description
R39201	RENO-SMK14	1 x 4 Surface Mount Frame
R39202	RENO-SMK22	2 x 2 Surface Mount Frame
R39203	RENO-SMK24	2 x 4 Surface Mount Frame
R39211	RENO-RFK14	1 x 4 Recessed Flange Kit
R39212	RENO-RFK22	2 x 2 Recessed Flange Kit
R39213	RENO-RFK24	2 x 4 Recessed Flange Kit
R39204	RENO-RP	10Ft Aircraft Suspension Cable for 1x4, 2x4, 2x2

Accessories

Emergency LED Drivers



Emergency LED Driver
R83001
RENO-EM-H15

Order #	Model #	Description
R83001	RENO-EM-H15	External Mount 15W 100-347Vac 50/60Hz 0.1A max 12W max 170V DC 5°C ~50°C

Accessories

Sensor Remotes



PIR Sensor for the Sensor-Ready Flat Panels
R74006
RENO-SENSOR-PIR-2.5MM-H



Remote Control for Standalone Sensor (with Screen)
R73002
RENO-REMOTE-H



Remote Control for Standalone Sensor (without Screen)
R73005
RENO-REMOTE-H-ECO

Order #	Model #	Type	Description
R74006	RENO-SENSOR-PIR-2.5MM-H	Sensor	PIR Sensor for the Sensor-Ready Flat Panels R35321 / R35322 / R3532
R73002	RENO-REMOTE-H	Remote	Remote Control for Standalone Sensors with Screen (Only 1 needed per project)
R73005	RENO-REMOTE-H-ECO	Remote	Remote Control for Standalone sensors without Screen (Only 1 needed per project)

Accessories

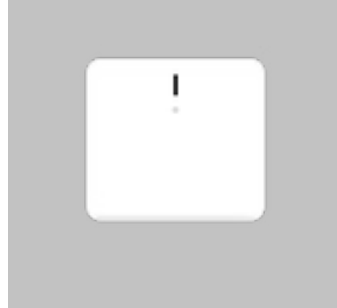
RENO SMART NLC Sensors



Bluetooth PIR sensor for the Sensor-Ready Flat Panels

R75005

RENO-RS-JK-2.5MM-PIR-12V



Ceiling Mounted Gateway for RENO Smart NLC System

R75201

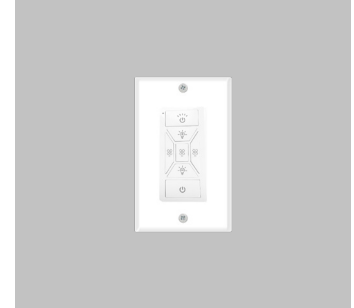
RENO-RS-GW-BCNW



5-Key Reset Remote Controller

R75301

RENO-RS-RC-BNNN



7-Key Smart Wall Switch for RENO Smart NLC System

R75302

RENO-RS-RC-BNNG

Order #	Model #	Description
R75005	RENO-RS-JK-2.5MM-PIR-12V	Bluetooth PIR sensor for the Sensor-Ready Flat Panels (R35321/R35322/R35323)
R75201	RENO-RS-GW-BCNW	Ceiling Mounted Gateway for RENO Smart NLC System
R75301	RENO-RS-RC-BNNN	5-Key Reset Remote Controller
R75302	RENO-RS-RC-BNNG	7-Key Smart Wall Switch for RENO Smart NLC System