

INSTRUCTIONS FOR THE FOLLOWING FIXTURES

ORDER#	MODEL#
R51220	RENO-CWS-MW-DV-MCCT-4
R51221	RENO-CWS-MW-DV-MCCT-6
R51223	RENO-CWS-MW-DV-MCCT-4-WH
R51224	RENO-CWS-MW-DV-MCCT-6-WH



PLEASE READ ALL INSTRUCTIONS BEFORE ATTEMPTING INSTALLATION

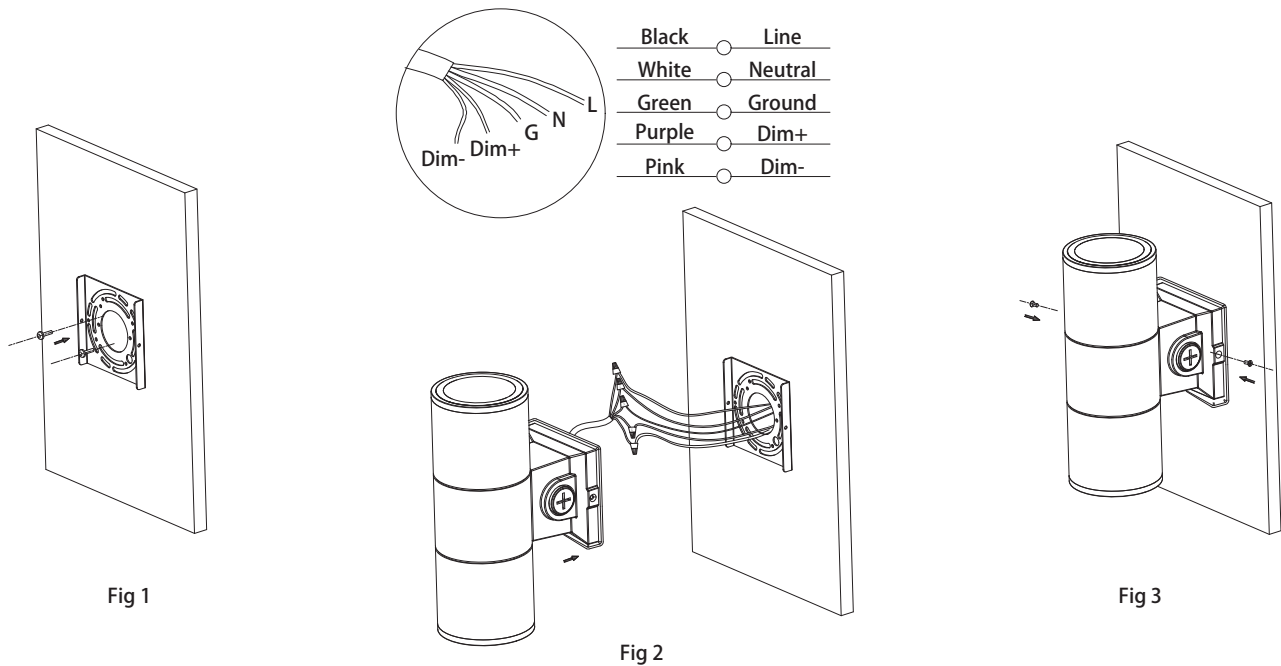
SAFETY: This fixture must be wired in accordance with the national electrical code and applicable local codes and ordinances. Proper grounding is required to insure personal safety. Carefully observe the grounding procedure under installation section. All work should be done by a qualified electrician.

> **RISK OF ELECTRIC SHOCK** - Disconnect power at fuse or circuit breaker before installing or servicing.

> **RISK OF PERSONAL INJURY** - Fixture may become damaged and/or unstable if not installed properly. Tighten all fixture components to their recommended torque values.

WARNING: Make certain power is OFF before starting installation or attempting any maintenance.

INSTALLATION



INSTALLATION

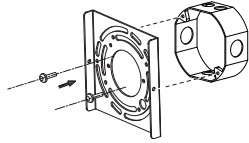
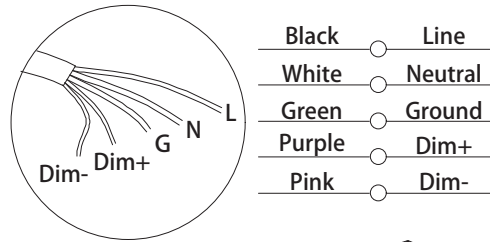


Fig 4

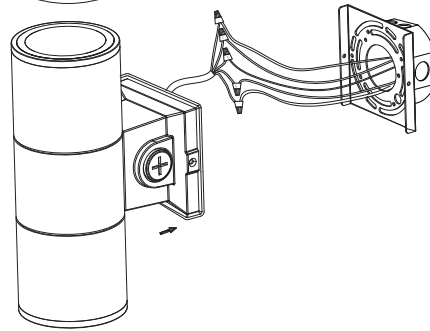


Fig 5

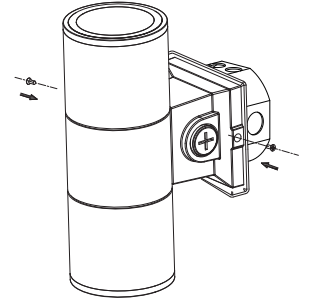


Fig 6

WATTAGE & CCT SELECTABLE GUIDANCE

Factory Default Setting:
Watt: 35W/20W CCT: 5K Photocell: ON

