

Date		Project	
Type		Part Number	

PRIME R ALL-IN-ONE PERFORMANCE LIGHTING

SYLO Series

Bollard Light

The SYLO Series PRIME LED Bollard provides a sleek design and provides a low to the ground illumination to light up walkways and darkened paths. This versatile fixture can be customized by colour temperature and wattage. Great for adding personality to any building's exterior.



PRODUCT FEATURES

- DLC Premium
- Corrosion resistant aluminum exterior
- Black Powder-Coated Finish
- Operating temperature: -40°F to +104°F (-40°C to +40°C)
- Custom colors available
- Rated Lifespan: L70 ~100,000 hrs
- Comes integrated with a photocell switch. Optional on /off
- Includes concrete sleeve anchors
- 10 year limited warranty

KEY SPECIFICATIONS

Voltage	120-347V
Wattage	Selectable - 14W / 19W / 24W
CCT	3000K, 4000K, 5000K
CRI	>70
Lumens	1960 – 3399 lm
Beam Distribution	Type V - 360°
Mounting	Surface, Recessed, Wall
Color	Black
Applications	Entryway, Pathway, Walkways

SPECIFICATIONS – BL-R MULTI POWER (14/19/24W)

Order#	Model	Wattage	Voltage	Lumens	Efficacy	CCT
R56010	RENO-BL-R-MV-DV-MCCT-42	14W	120-347V	2111.5 lm	150.8 lm/W	3000K
				2142.9 lm	153.1 lm/W	4000K
				2135.7 lm	152.6 lm/W	5000K
		19W	120-347V	2818.4 lm	148.3 lm/W	3000K
				2885.8 lm	151.9 lm/W	4000K
				2858 lm	150.4 lm/W	5000K
		24W	120-347V	3504.8 lm	146 lm/W	3000K
				3625.1 lm	151 lm/W	4000K
				3607.2 lm	150.3 lm/W	5000K

SPECIFICATIONS – BL-RL MULTI POWER (14/19/24W)

Order#	Model	Wattage	Voltage	Lumens	Efficacy	CCT
R56011	RENO-BL-RL-MV-DV-MCCT-42	14W	120-347V	1046.2 lm	74.7 lm/W	3500K
				1050.9 lm	75.1 lm/W	4000K
				1043.3 lm	54.9 lm/W	5000K
		19W	120-347V	1475.6 lm	77.7 lm/W	3500K
				1481.9 lm	78 lm/W	4000K
				1474.7 lm	77.6 lm/W	5000K
		24W	120-347V	1827.8 lm	76.2 lm/W	3500K
				1881.7 lm	78.4 lm/W	4000K
				1878.6 lm	78.3 lm/W	5000K

SPECIFICATIONS – BL-RD MULTI POWER (14/19/24W)

Order#	Model	Wattage	Voltage	Lumens	Efficacy	CCT
R56012	RENO-BL-RD-MV-DV-MCCT-42	14W	120-347V	2073.2 lm	148.1 lm/W	3500K
				2120.4 lm	151.5 lm/W	4000K
				2111.4 lm	150.8 lm/W	5000K
		19W	120-347V	2834.8 lm	149.2lm/W	3500K
				2835.2 lm	149.2 lm/W	4000K
				2812.8 lm	148 lm/W	5000K
		24W	120-347V	3457.9 lm	144.1 lm/W	3500K
				3581.2 lm	149.2 lm/W	4000K
				3583.4 lm	149.3 lm/W	5000K

SPECIFICATIONS – BL-S MULTI POWER (14/19/24W)

Order#	Model	Wattage	Voltage	Lumens	Efficacy	CCT
R56013	RENO-BL-S-MV-DV-MCCT-42	14W	120-347V	1773.7 lm	126.7 lm/W	3000K
				1857.8 lm	132.7 lm/W	4000K
				1911.7 lm	136.6 lm/W	5000K
		19W	120-347V	2458.6 lm	129.4 lm/W	3000K
				2597.2 lm	136.7 lm/W	4000K
				2654.3 lm	139.7 lm/W	5000K
		24W	120-347V	3076.6 lm	128.2 lm/W	3000K
				3291.9 lm	137.2 lm/W	4000K
				3399.6 lm	141.7 lm/W	5000K

DLC CERTIFICATION

Order#	Model	Application	DLC Standard	DLC Premium
R56010	RENO-BL-R-MV-DV-MCCT-42	Outdoor Luminaires	–	S-SZSWWW
R56011	RENO-BL-RL-MV-DV-MCCT-42	Outdoor Luminaires	–	S-PPJLMR
R56012	RENO-BL-RD-MV-DV-MCCT-42	Outdoor Luminaires	–	S-G89TTV
R56013	RENO-BL-S-MV-DV-MCCT-42	Outdoor Luminaires	–	S-PZGH7G

ACCESSORIES – SHIELD



R59012
RENO-BL-SHIELD
180° Spill Shield

180 DEGREE SPILL SHIELD

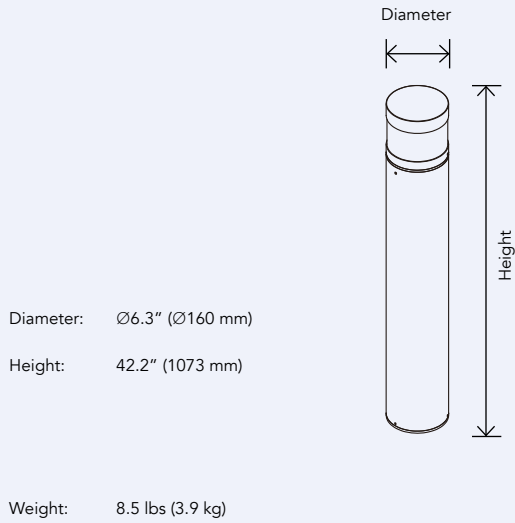
This spill shield can be added to the bollard to provided a 180 degree of light coverage.



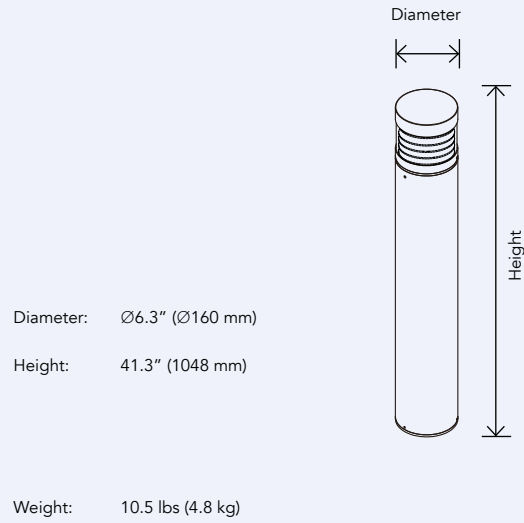
Order#	Model	Description
R59012	RENO-BL-SHIELD	180° Spill Shield

DIMENSIONS

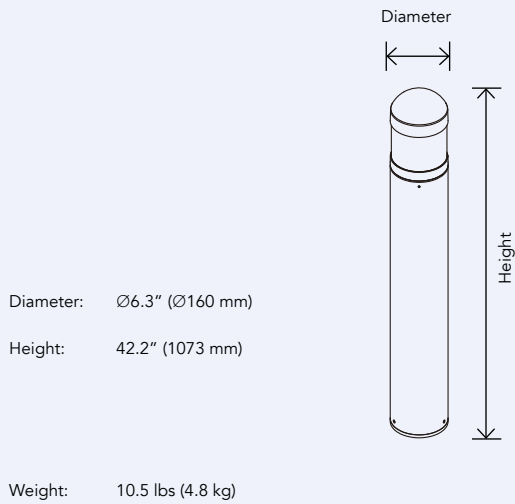
BL-R



BL-RL



BL-RD



BL-S

